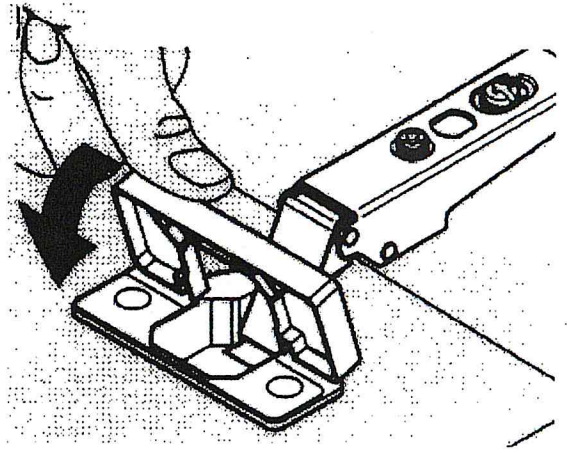
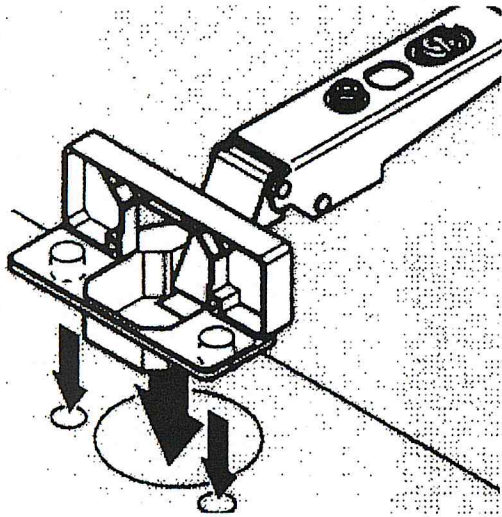
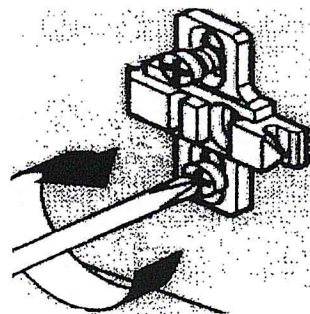
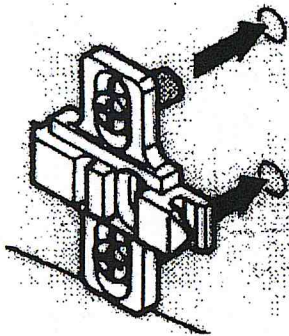


Your Blum Hinges don't need screws.



They simply push into the door and when you fold down the flap they lock into place.



Your hinge blocks simply push into the two holes predrilled in the carcass and then tighten up the screws.